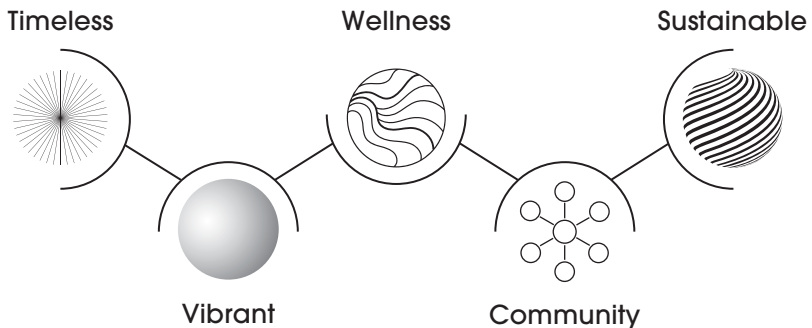


ELEMENTS OF DRINK DESIGN

Much like a well-designed object, a well-crafted cocktail takes into account the contributions of each element and how they play against each other. Balance and tension, comfort and elevation, the nuances of technique and ingredient make each cocktail unique.

The Elements of a Cocktail





BUILD YOUR OWN HIGHBALL

Choose your Spirit:

- VODKA 1oz/2oz
- Tito's Handmade 14/25
- Belvedere Organic 14/25
- Grey Goose 14/25

TEQUILA 1oz/2oz

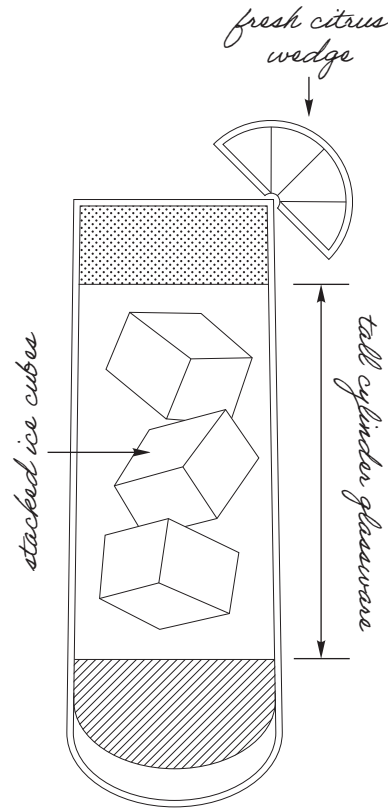
- Patrón Silver 18/33
- Don Julio Reposado 19/35
- Casamigos Añejo 21/39

BOURBON 1oz/2oz

- Bulleit 16/29
- Maker's Mark 19/35
- Buffalo Trace 16/29

Choose your Mixer:

- Fever-Tree Soda
- Fever-Tree Tonic
- Fever-Tree Ginger Ale
- Fever-Tree Ginger Beer



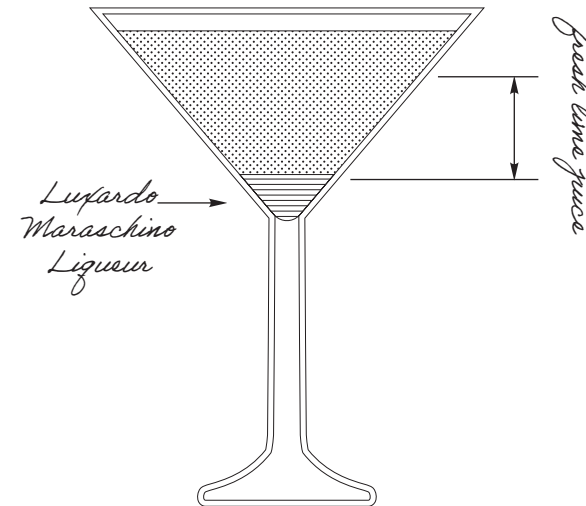
composed of an alcoholic base spirit and a larger proportion of a non-alcoholic mixer.



THE LAST WORD MARTINI 23 (2 oz.)

Hendrick's Gin, Green Chartreuse, Luxardo Maraschino Liqueur, fresh lime

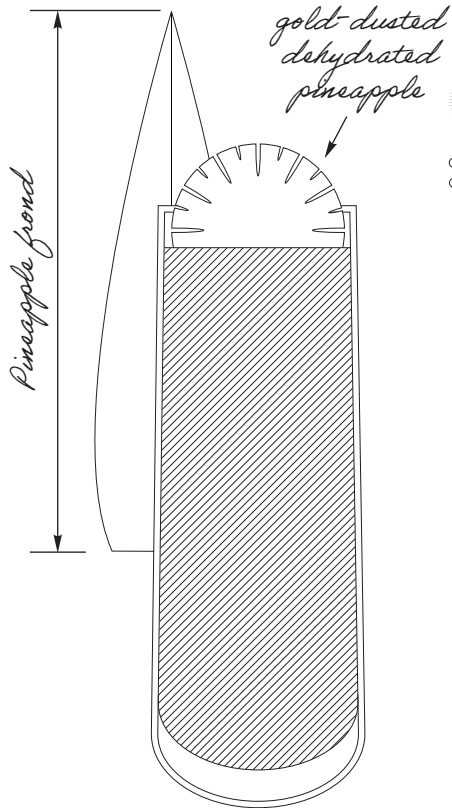
Make it smoky with Leyenda Tlacuache Organic Mezcal • add 11 (½ oz.)



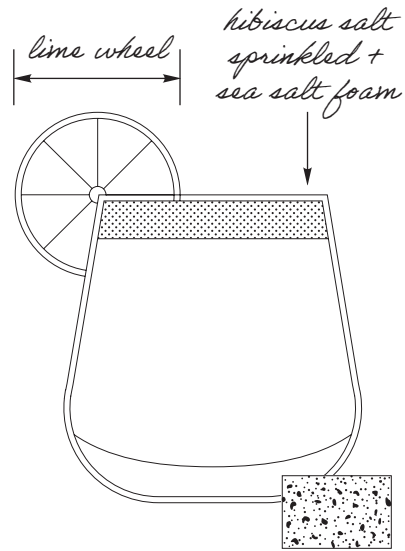
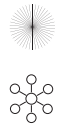
AMERICANO HIGHBALL 21 (2 oz.)

Campari, Martini Sweet Vermouth, Fever-Tree Soda

ELEMENT KEY	
	Timeless
	Vibrant
	Wellness
	Community
	Sustainable

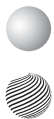


JUNGLE BIRD 22 (2 oz.)
 Appleton Estate Signature Blend Rum, Campari, Giffard Gum Syrup, fresh lime, pineapple juice



spiced/smoked version: tajin rim + chili threads

ELEMENT KEY	
	Timeless
	Vibrant
	Wellness
	Community
	Sustainable



MARGARITA 21 (1.5 oz.)
 Patrón Silver Tequila, fresh lime, Giffard Agave Syrup

Leyenda Tlacuache Organic Mezcal • add 11 (½ oz.)



CLASSIC MARTINI (2.5 oz.)

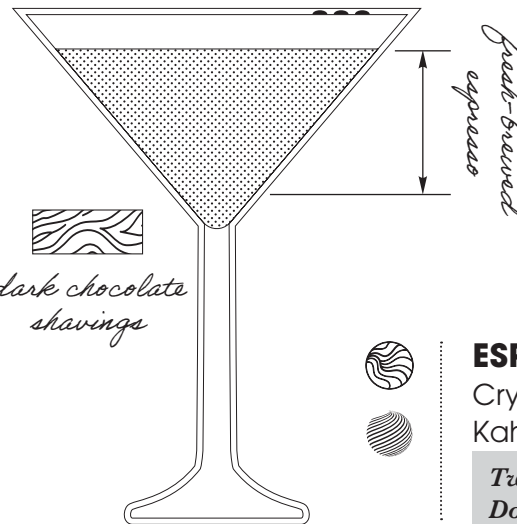
DRY / STIRRED 24
 The Botanist Gin or Ketel One Vodka, Martini Dry Vermouth, orange bitters, lemon twist



DIRTY / SHAKEN 24
 Tito's Handmade Vodka, Martini Bianco Vermouth, house brine, olive accoutrements

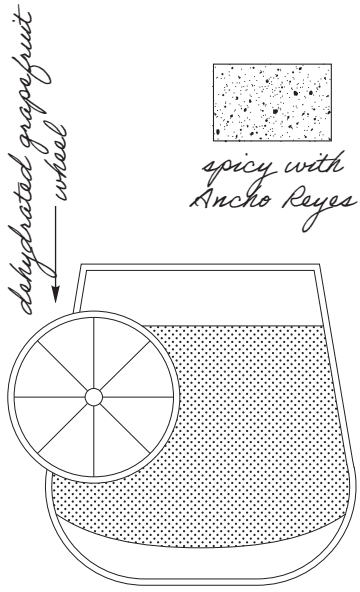


3 espresso beans

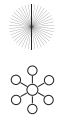


ESPRESSO MARTINI 24 (2 oz.)
 Crystal Head Onyx Vodka, Kahlúa, fresh espresso

Twist it up with Don Julio Reposado Tequila • add 9 (½ oz.)

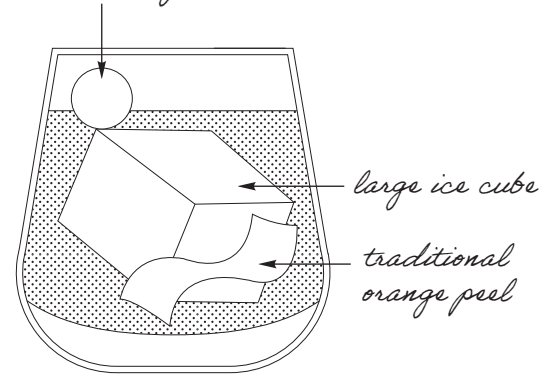


originally called the "De Rigueur" in cocktail books



BROWN DERBY 21 (1 oz.)
Woodford Reserve Bourbon,
fresh grapefruit, barrel-aged
maple syrup, orange bitters

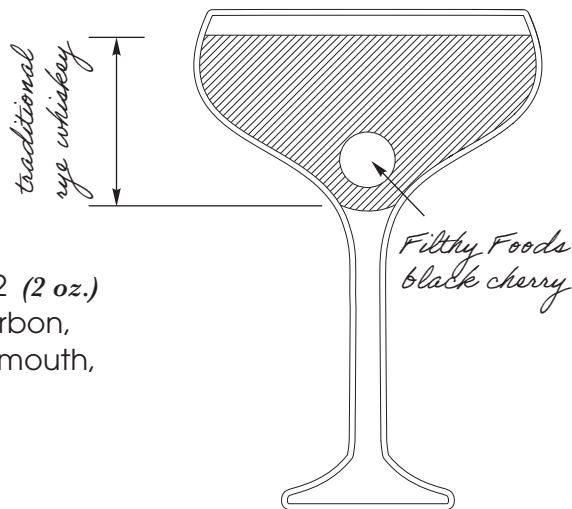
Filthy Foods
black cherry



SPICED OLD FASHIONED 23 (2 oz.)
Maker's Mark Bourbon, orange bitters,
cardamom bitters, cane sugar, orange
& lemon peel



MANHATTAN 22 (2 oz.)
Bulleit Rye or Bourbon,
Martini Rosso Vermouth,
Angostura Bitters



ELEMENT KEY

 Timeless

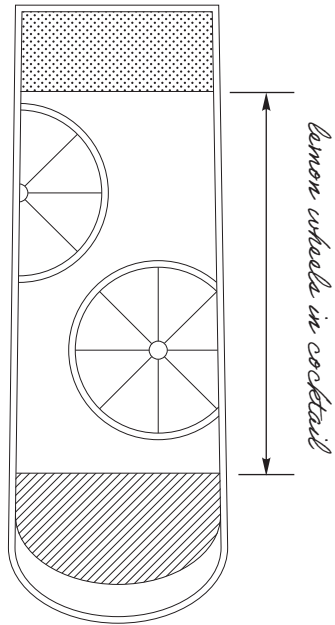
 Vibrant

 Wellness

 Community

 Sustainable

candied ginger slice



SEAMLESS 17

Passion Fruit Reàl, fresh lemon, Giffard Vanilla, Fever-Tree Soda



DOMESTIC 9

COORS LIGHT
MILLSTREET ORGANIC LAGER
STEAM WHISTLE PILSNER
MOOSEHEAD LAGER
RICKARD'S RED
ALEXANDER KEITH'S IPA

IMPORTED 11

CORONA EXTRA
HEINEKEN
KOZEL DARK 500 ML
MICHELOB ULTRA
PILSNER URQUELL

CRAFT 11

NEW BELGIUM
FAT TIRE ALE 437ML
BLUE MOON
BELGIAN WHITE 437ML
COLLECTIVE ARTS
IPA 437ML
COLLECTIVE ARTS
LAGER 437ML
COLLECTIVE ARTS
BLONDE 437ML

HARD SELTZER

& CIDER 11
ANGRY ORCHARD
HARD CIDER 473ML
WHITE CLAW MANGO
HARD SELTZER 473ML

NON-ALCOHOLIC 8

PARTAKE NA IPA
PERONI NASTRO AZZURRO
0.0 LAGER

ELEMENT KEY

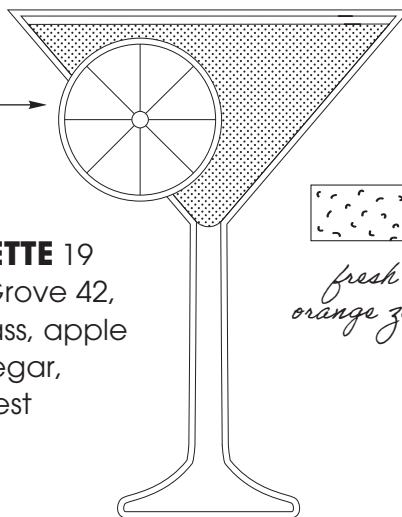
	Timeless
	Vibrant
	Wellness
	Community
	Sustainable

dehydrated blood orange wheel



SILHOUETTE 19

Seedlip Grove 42, lemongrass, apple cider vinegar, orange zest



fresh orange zest

PLEASE ASK YOUR SERVER FOR SEASONAL SELECTION ON TAP (16oz)

SEASONAL 11

IMPORTED 13

White Wines

White Wines

<i>Intensity</i>										
Fruit	Tannin	Acidity					6oz	9oz	BTL	
			●	○	●	MIONETTEA • Prosecco Brut (200ml)	Italy	-	-	22
●	○	○	●	○	○	HENKELL • Sparkling Rosé (200ml)	Germany	-	-	18
○	○	○	○	○	●	MOËT & CHANDON IMPÉRIAL • Brut Rosé (200ml)	Champagne, France	-	-	45
●	○	○	○	○	○	CAVE SPRING • Riesling	Ontario, Canada	17	23	68
○	○	○	○	○	●	CAVALIERE D'ORO GABIANO • Pinot Grigio	Grave, Italy	19	25	71
○	○	○	○	○	●	GÉRARD BERTRAND COTE DES ROSES • Rosé	France	19	25	71
○	○	○	○	○	●	DECOY BY DUCKHORN • Sauvignon Blanc	California	26	32	119
●	○	○	○	○	●	SWARTLAND • Chenin Blanc	South Africa	18	24	68
●	○	○	○	○	○	KENDALL-JACKSON VINTNER'S RESERVE • Chardonnay	California	22	29	88

○ MIN ○ MID ● MAX

Red Wines

Red Wines



				6oz	9oz	BTL
● ○ ●	MEIOMI • Pinot Noir	California		21	28	88
○ ● ●	PIANTAFERRO • Chianti DOCG	Italy		18	24	63
● ● ○	BENZIGER • Merlot	Sonoma County, California		25	34	101
● ● ○	WENTE SANDSTONE • Merlot	California		20	27	84
○ ● ●	CANCELLER • Malbec Reserva	Argentina		17	23	69
● ● ●	CÔTES DU RHÔNE VILLAGES • Red Blend	France		21	28	84
● ● ●	REIF ESTATE • Cabernet Sauvignon	Ontario, Canada		15	21	51
● ● ●	CRANSWICK LAKEFIELD • Shiraz	Australia		18	24	71

○ MIN ● MID ● MAX

Spirits

VODKA 1oz / 2oz

KETEL ONE 14/25
GREY GOOSE 14/25
TITO'S HANDMADE 14/25
BELVEDERE 14/25
STOLI 12/19
CRYSTAL HEAD ONYX 16/28

TEQUILA MEZCAL 1oz / 2oz

PATRÓN SILVER 18/33
PATRÓN REPOSADO 19/35
DON JULIO BLANCO 18/33
DON JULIO REPOSADO 19/35
CASAMIGOS BLANCO 17/31
CASAMIGOS REPOSADO 19/35
CASAMIGOS AÑEJO 21/39
TROMBA 13/23
HORNETS BLACK BARREL 13/23
LEYENDA TLACUACHE
ORGANIC MEZCAL 22/41

PREMIUM TEQUILA 1oz / 2oz

PATRÓN PLATINUM 56/109
DON JULIO 1942 25/47
CLASE AZUL REPOSADO 55/107

SHERRY / GRAPPA / PORT 1oz / 2oz

HARVEY'S BRISTOL CREAM 10
BOTTEGA SARPA DI POLI X11
TAYLOR FLADGATE 10 YEAR 15

GIN 1oz / 2oz

BOMBAY SAPPHIRE 12/21
TANQUERAY NO. TEN 12/21
AVIATION 12/21
HENDRICK'S 14/25
THE BOTANIST 14/25
DRUMSHANBO
GUNPOWDER IRISH GIN 16/29
DUNROBIN EARL GREY GIN 16/20

RUM 1oz / 2oz

CAPTAIN MORGAN SPICED 12/20
MOUNT GAY ECLIPSE 12/23
EL DORADO 12 YEAR 14/25
EL DORADO 15 YEAR 17/31

COGNAC / ARMAGNAC 1oz / 2oz

ARMAGNAC DE
MONTAL VSOP 16/29
HENNESSY VSOP 21/39
RÉMY MARTIN VSOP 21/39
COURVOISIER VSOP 21/39
HENNESSY XO 42/81
RÉMY MARTIN XO 42/81
COURVOISIER XO 42/81

PREMIUM COGNAC 1oz / 2oz

HENNESSY PARADIS 0.5oz 205
RÉMY MARTIN LOUIS XIII 0.5oz 250
HENNESSY PARADIS 1oz 345
RÉMY MARTIN LOUIS XIII 1oz 400

LIQUEURS 1oz / 2oz

COINTREAU 11/19
BAILEYS 11/19
KAHLÚA 11/19
TIA MARIA 11/19
SOUTHERN COMFORT 13/23
EL GOBERNADOR PISCO 14/25

SINGLE MALT SCOTCH 1oz / 2oz

OBAN 14 YEAR 34/65
THE GLENLIVET 12 YEAR 21/39
THE MACALLAN 12 YEAR 34/65
GLENFIDDICH 18 YEAR 34/65
GLENKINCHIE 12 YEAR 21/39
LAPHROAIG 10 YEAR 22/41
TALISKER 10 YEAR 24/45
JURA 12 YEAR 21/39
DALWHINNIE 15 YEAR 23/43
LAGAVULIN 16 YEAR 34/65

BLENDED SCOTCH WHISKY 1oz / 2oz

DEWAR'S 11/19
CHIVAS 12 YEAR 14/25
JOHNNIE WALKER
BLACK LABEL 14/25
JOHNNIE WALKER
BLUE LABEL 60/117
JOHNNIE WALKER
GREEN LABEL 23/43

Spirits

BOURBON 1oz / 2oz

WOODFORD RESERVE 19/35
MAKER'S MARK 19/35
BUFFALO TRACE 16/29
BASIL HAYDEN 17/39
BULLEIT 16/29

AMERICAN WHISKEY 1oz / 2oz

GENTLEMAN JACK
TENNESSEE WHISKEY 13/23
ELIJAH CRAIG 12 YEAR 17/31

CANADIAN WHISKY 1oz / 2oz

CROWN ROYAL 12/21
CANADIAN CLUB 13/23
BEARFACE 16/31
SIGNAL HILL 14/25
DUNROBIN WHISKY 16/30

IRISH WHISKEY 1oz / 2oz

JAMESON 13/23
BUSHMILLS 12/21
REDBREAST 20/37

SHAREABLE & SMALL BITES

CHARCUTERIE 39

Niagara Cured Meats,
Country Pâté, Artisanal
Cheese, Raw and
Pickled Vegetables, Crisp
Farmhouse Breads

**ARTISANAL
CHEESE BOARD** 21

Local and Imported
Cheese, Pickled
Vegetables and Mustard
Seeds, Grape Preserves
and Crisp Farmhouse
Breads

CHIPS & DIPS 15

Sour Cream and
Caramelized Onion Dip,
Salsa, Kettle Chips

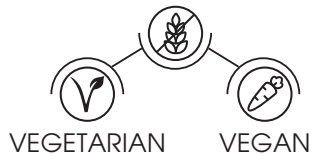
**MEDITERRANEAN
PLATTER** 36

Hummus, Babaganoush,
Sour Cream and
Caramelized Onion
Dip, Marinated Olives,
Dolmades, Pickled
Vegetables, Pita and
Flatbreads

MARINATED OLIVES 17

Spiced and Citrus
Marinated Olives and
Rosemary Focaccia
Croutons

GLUTEN-FRIENDLY



Gluten-friendly bread available upon request.

*Consuming raw or undercooked meats, poultry, seafood, shellfish or
eggs may increase your risk of foodborne illness.

Please notify us of any food allergy.

HOT COFFEE & TEA

STANCE COFFEE 8
SLOANE HOT TEA 7
ESPRESSO 6/8
MACCHIATO 6
CAPPUCCINO 8
AMERICANO 7
CAFE LATTE 7
HOT CHOCOLATE 6

OTHER BEVERAGES

FRESH-SQUEEZED
ORANGE JUICE 7
ARIZONA BEVERAGES 9

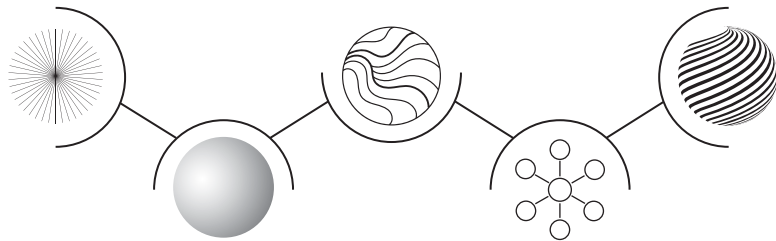
FIZZ

RED BULL ENERGY DRINK 7
RED BULL SUGARFREE 7
S.PELLEGRINO SPARKLING
MINERAL WATER 500ML 7
S.PELLEGRINO SPARKLING
MINERAL WATER 1 LTR 10
COKE / DIET COKE
CANADA DRY 6
FEVER-TREE SODA 7

FLAT

ACQUA PANNA 500ML 7
ACQUA PANNA 1 LTR 10

With sincere gratitude we give thanks
to our partners who build community
and promote sustainability.



COMMUNITY

Appleton Estate Rum: In 1997, Dr. Joy Spence became the first woman appointed master blender in the industry, an amazing milestone for women across the world!

Woodford Reserve Bourbon: Woodford Reserve works closely with Old Friend Farms, where racing thoroughbreds are sent to retire and raise awareness of the importance of equine aftercare.

SUSTAINABILITY

Patrón Tequila: Patrón was the first distillery to install a natural gas pipeline, which acts as its main energy source and helps reduce CO2 emissions in the atmosphere.

Absolut Vodka: For the past four years, Absolut has been using so-called waste spirits to reduce use of liquefied propane gas (LPG) to generate energy at their Nöbbelöv distillery.

Seedlip: Seedlip is a 1% for the Planet member, giving 1% of global annual revenues to environmental charities dedicated to celebrating and protecting the planet.