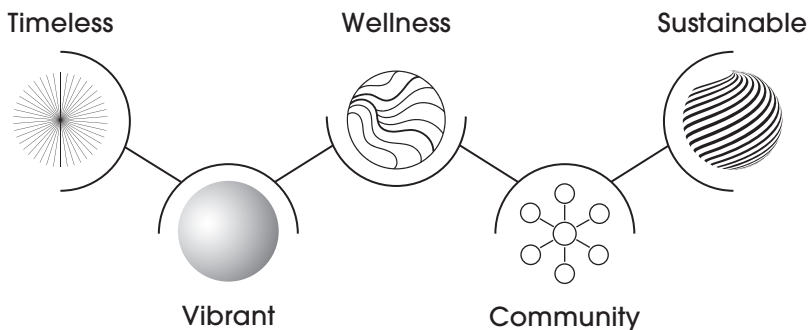


ELEMENTS OF DRINK DESIGN

Much like a well-designed object, a well-crafted cocktail takes into account the contributions of each element and how they play against each other. Balance and tension, comfort and elevation, the nuances of technique and ingredients make each cocktail unique.

The Elements of a Cocktail





BUILD YOUR OWN HIGHBALL 14

Choose your Spirit:

VODKA

Tito's Handmade
Belvedere Organic
Grey Goose

TEQUILA

Herradura Silver
Milagro Añejo

*Level up with
Casamigos Reposado 22*

BOURBON

Bulleit
Maker's Mark
Woodford Reserve

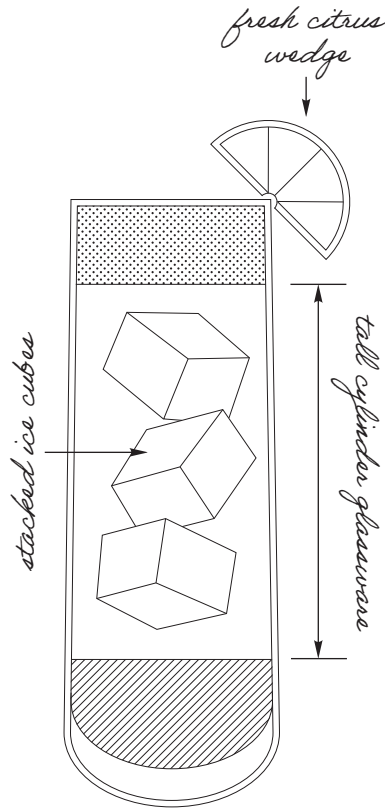
Choose your Mixer:

Q Club Soda
Owen's Rio Red Grapefruit
Owen's American Tonic
Q Ginger Ale
Owen's Ginger Beer



AMERICANO HIGHBALL 14

Campari, Antica Formula Sweet
Vermouth, Q Club Soda

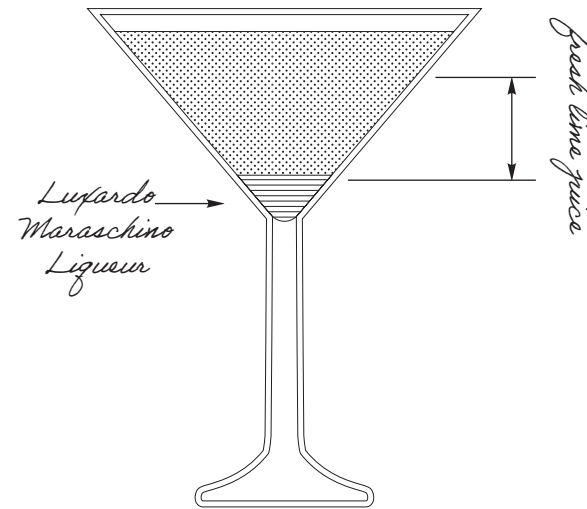


composed of an alcoholic base spirit and a larger proportion of a non-alcoholic mixer.

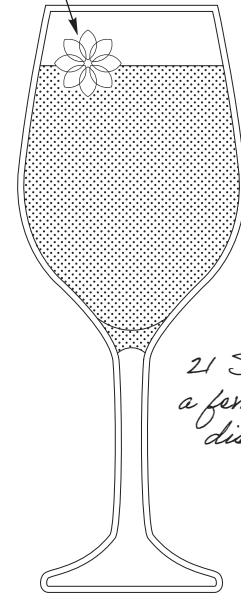


OF ALL THINGS 15

21 Seeds Grapefruit Hibiscus
Tequila, Aperol, Barmalade
Grapefruit-Elderflower,
fresh lime, rhubarb bitters,
Lunetta Prosecco



edible micro flowers



21 Seeds is a female-led distillery



THE LAST WORD MARTINI 15

Hendrick's Gin, green chartreuse,
Luxardo Maraschino Liqueur,
fresh lime



Make it smoky with Dos Hombres Mezcal 18

ELEMENT KEY

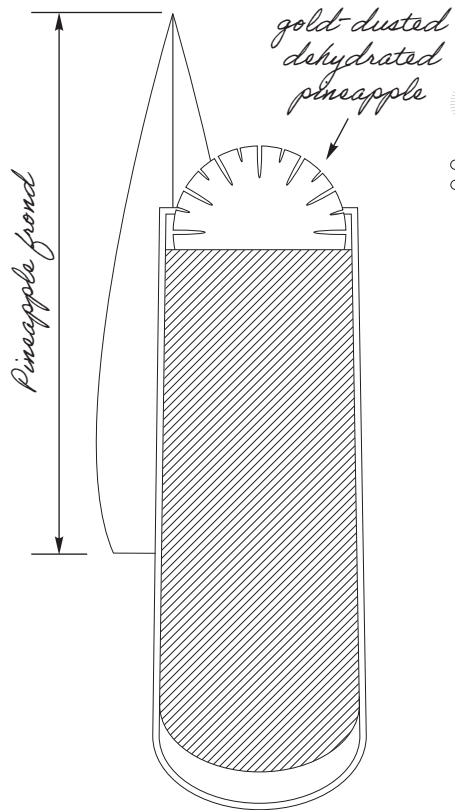
 Timeless

 Vibrant

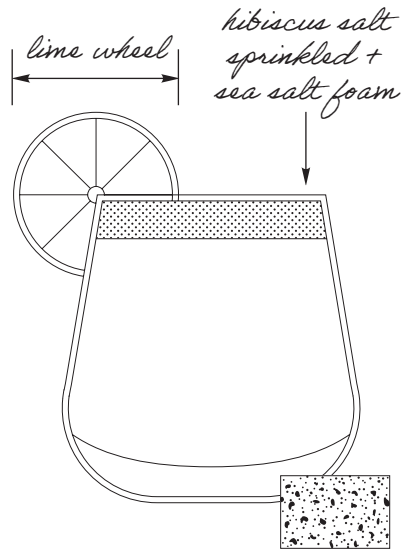
 Wellness

 Community

 Sustainable



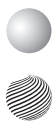
JUNGLE BIRD 15
 Appleton Estate Signature Blend Rum, Campari, Liber & Co. Pineapple Gum Syrup, fresh lime, pineapple juice



*spiced/smoked version:
 tajin rim + chili threads*

ELEMENT KEY

-  Timeless
-  Vibrant
-  Wellness
-  Community
-  Sustainable



MARGARITA 15
 Patrón Silver Tequila, Italicus Rosolio di Bergamotto, fresh lime, Monin Agave Nectar contains egg*

Level up with Herradura Reposado 21

Spice it up with Ancho Reyes Chile Liqueur 17

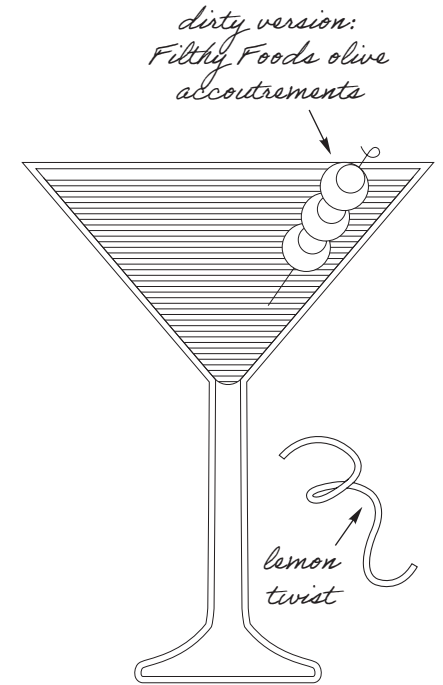
Make it smoky with Dos Hombres Mezcal 19



CLASSIC MARTINI

DRY / STIRRED 15
 The Botanist Gin or Ketel One Vodka, Carpano Dry Vermouth, orange bitters, lemon twist

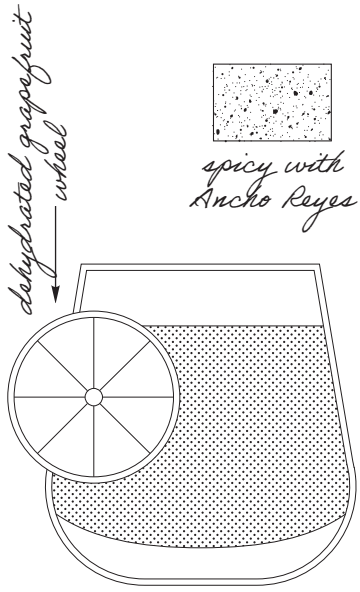
DIRTY / SHAKEN 15
 Tito's Handmade Vodka, Carpano Bianco Vermouth, house brine, Filthy Foods Olive Accoutrements



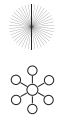
3 espresso beans



ESPRESSO MARTINI 15
 Absolut Vodka, Kahlúa, fresh espresso
Twist it up with Casamigos Reposado Tequila 25



originally called the "De Rigueur" in cocktail books

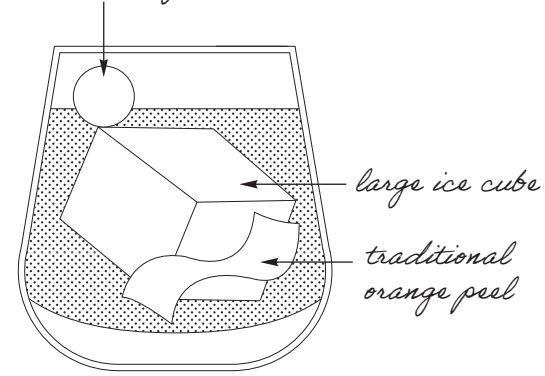


BROWN DERBY 15

Woodford Reserve Bourbon, fresh grapefruit, barrel-aged maple syrup, orange bitters

Spice it up with Ancho Reyes Chile Liqueur 17

Filthy Foods black cherry

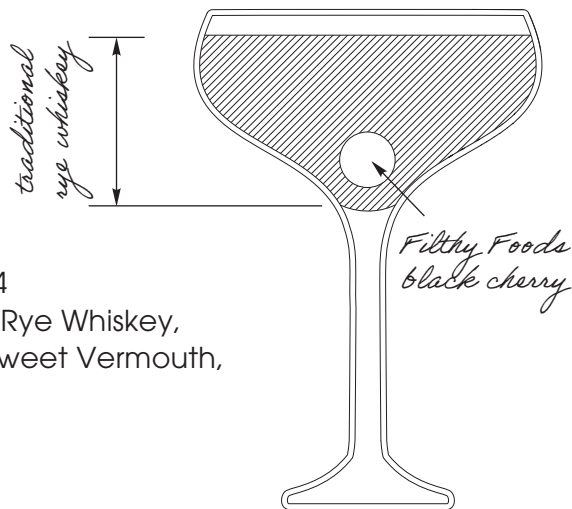


OLD FASHIONED 15

High West Bourbon, Liber & Co Demerara Syrup, El Guapo Bitters contains nuts*

Level up with Garrison Brothers Small Batch Bourbon 27

Make it a twist featuring Cincoro Reposado Tequila 32

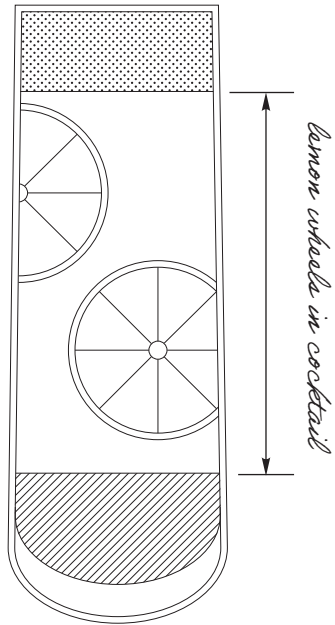


MANHATTAN 14

Knob Creek 7 Yr. Rye Whiskey, Antica Formula Sweet Vermouth, Angostura Bitters

ELEMENT KEY	
	Timeless
	Vibrant
	Wellness
	Community
	Sustainable

candied ginger slice



SEAMLESS 8

Monin Vanilla, Passion Fruit Reàl, fresh lemon, Q Club Soda



dehydrated blood orange wheel



SILHOUETTE 10

Seedlip Grove 42, Monin Lemongrass, apple cider vinegar, orange zest



fresh orange zest

WHISKEY / BOURBON

ANGEL'S ENVY 15

ANGEL'S ENVY FINISHED RYE 28

BASIL HAYDEN 12

BIB & TUCKER 18

BLANTON'S 39

BUFFALO TRACE 14

BULLEIT 11

BULLEIT RYE 11

CROOKED WATER KINGS POINT 12

CROOKED WATER OLD HELL ROARING 12

CROWN ROYAL 10

ELIJAH CRAIG 10

FAR NORTH

ROKNAR RYE (MN) 12

FOUR ROSES 12

GARRISON BROTHERS SMALL BATCH 23

GENTLEMEN JACK 10

GEORGE DICKEL BARREL SELECT 15

HIGH WEST AMERICAN PRAIRIE 11

HIGH WEST DOUBLE RYE 11

JAMESON IRISH 10

KEEPER'S HEART 12

KNOB CREEK 11

KNOB CREEK RYE 11

MAKER'S MARK 10

MAKER'S MARK 46 11

OLD FORESTER 86 10

PAPPY VAN WINKLE 10YR 92

PAPPY VAN WINKLE 12YR 122

SUNTORY TOKI 12

TX WHISKEY BLEND 14

TX WHISKEY BOURBON 14

WHISTLEPIG 10YR RYE 25

WOODFORD RESERVE 11


WOODFORD RESERVE RYE 15

WOODINVILLE 16

ELEMENT KEY

 Timeless

 Vibrant

 Wellness

 Community

 Sustainable

SCOTCH

ARDBEG 18
THE BALVENIE 12YR 18
THE BALVENIE 14YR
CARIBBEAN CASK 34
CHIVAS REGAL 10
THE DALMORE 15YR 20
DEWAR'S WHITE LABEL 9
GLENDRONACH 17
GLENFIDDICH 12YR
SINGLE MALT 17
THE GLENLIVET 12YR
SINGLE MALT 16
JOHNNIE WALKER
BLACK LABEL 16
JOHNNIE WALKER BLUE LABEL 68
JOHNNIE WALKER RED LABEL 12
LAPHROAIG 10YR 15
THE MACALLAN 12YR 18
THE MACALLAN 18YR
DOUBLE CASK 78
MONKEY SHOULDER 14

VODKA

ABSOLUT 11
ABSOLUT CITRON 10
ABSOLUT ELYX 11
ABSOLUT MANDRIN 10
BELVEDERE 12
DEEP EDDY LEMON 9
DEEP EDDY RUBY RED 9
GRAY DUCK (MN) 10
GREY GOOSE 11
KETEL ONE 11
KETEL ONE BOTANICAL
GRAPEFRUIT & ROSE 11
TITO'S HANDMADE 10

TEQUILA

AVIÓN SILVER 12
CASAMIGOS AÑEJO 24
CASAMIGOS BLANCO 18
CASAMIGOS REPOSADO 20
CINCORO AÑEJO 48
CINCORO BLANCO 25
CINCORO REPOSADO 28
CLASE AZUL AÑEJO 68
CLASE AZUL GOLD 52
CLASE AZUL REPOSADO 38
DON JULIO REPOSADO 14
HERRADURA REPOSADO 18
PATRÓN SILVER 12
PATRÓN XO CAFE 30

MEZCAL

DEL MAGUEY VIDA 12
DOS HOMBRES 24
DERRUMBES OAXACA 16
FIDENCIO CLASICO 14
FIDENCIO TEPEXTATE 18

RUM

BLUE CHAIR BAY WHITE 9
CRUZAN BLACK STRAP 11
CRUZAN LIGHT 9
CRUZAN MANGO 9
DIPLOMÁTICO 16
EL DORADO 5YR 12
FAR NORTH
ALANDER NORDIC (MN) 12
FLOR DE CAÑA 7YR 14
MALIBU 9
MOUNT GAY ECLIPSE 9
RON ZACAPA NO. 23 18
RUMHAVEN 10
SAILOR JERRY SPICED 11

Spirits

GIN

AVIATION 15
BEEFEATER 9
BOMBAY SAPPHIRE 10
THE BOTANIST 14
CROOKED WATER
SUNDOG (MN) 10
GIN DI FIORI
BLOOD ORANGE 12
HENDRICK'S 13
PLYMOUTH ENGLISH 10
TANQUERAY 10
VIKRE BOREAL CEDAR (MN) 14

APERITIF

AMARO MONTENEGRO 10
APEROL 9
CAMPARI 9
CARPANO ANTICA
FORMULA VERMOUTH 12
COCCHI AMERICANO 12
FERNET-BRANCA 12
GREEN CHARTREUSE 14
LILLET BLANC 10
LIMONCELLO 10
MARTINI & ROSSI
AMBRATO RISERVA 11
PADRÓ & CO.
BLANCO VERMOUTH 12
PADRÓ & CO.
ROJO CLÁSICO VERMOUTH 12
YELLOW CHARTREUSE 14

DOMESTIC 7

BUD LIGHT
BUDWEISER
COORS LIGHT
MICHELOB ULTRA
MILLER LITE

IMPORTED 8

CORONA EXTRA
DOS EQUIS LAGER
GUINNESS
HEINEKEN
MODELO ESPECIAL
PERONI
STELLA ARTOIS

NON-ALCOHOLIC 7

ATHLETIC BREWING CO
RUN WILD NA IPA
HEINEKEN 0.0 NA LAGER

Beer | Cider | Seltzers | Etc.

CRAFT 8

BLUE MOON BELGIAN WHITE
NEW BELGIUM FAT TIRE ALE
NEW BELGIUM VODOO
RANGER JUICY HAZE IPA
SAMUEL ADAMS BOSTON LAGER
SAMUEL ADAMS SEASONAL

HARD SELTZERS & CIDERS 7

ANGRY ORCHARD HARD CIDER
DULUTH CIDER
HIGH NOON WATERMELON
VODKA HARD SELTZER
TRULY WILD BERRY HARD SELTZER
WHITE CLAW BLACK CHERRY
HARD SELTZER
WHITE CLAW MANGO
HARD SELTZER

DRAFT

KONA BIG WAVE GOLDEN ALE 7
FULTON LONELY BLONDE ALE 8
MILLER LITE 7
STELLA ARTOIS 9
SUMMIT EPA 9
SURLY FURIOUS IPA 9

White Wines

White Wines

<i>Intensity</i>										
Fruit	Tannin	Acidity					6oz	9oz	BTL	
			●	○	●	LUNETTA • Prosecco Brut	Veneto, Italy (187ml)	-	-	15
●	○	○	●	○	○	CHANDON • Sparkling Rosé	California (187ml)	-	-	28
○	○	○	○	○	●	MOËT & CHANDON IMPÉRIAL • Brut Rosé	Champagne, France (187ml)	-	-	45
●	○	○	○	○	○	CHATEAU STE. MICHELLE • Riesling	Columbia Valley, Washington	11	15	42
○	○	○	○	○	●	SANTA MARGHERITA • Pinot Grigio	Valdadige, Veneto, Italy	14	20	55
○	○	○	○	○	○	ROSE GOLD • Rosé	Côtes de Provence, France	13	18	50
○	○	○	○	○	○	DECOY BY DUCKHORN • Sauvignon Blanc	California	16	22	60
●	○	○	○	○	○	PINE RIDGE • Chenin Blanc/Viognier	California	11	15	42
●	○	○	○	○	○	KENDALL-JACKSON VINTNER'S RESERVE • Chardonnay	California	12	18	48

○ MIN ○ MID ● MAX

Red Wines

Red Wines

Intensity

Fruit Tannin Acidity

				6oz	9oz	BTL	
●	○	◐	ELOUAN • Pinot Noir	Oregon	14	20	50
○	●	●	BANFI • Chianti Classico	Tuscany, Italy	14	20	50
●	●	○	BENZIGER • Merlot	Sonoma County, California	14	20	50
○	◐	◐	CATENA VISTA FLORES • Malbec	Mendoza, Argentina	12	16	45
●	●	◐	TRIBUTE • Cabernet Sauvignon	California	12	16	45
●	●	◐	FRANCISCAN ESTATE CORNERSTONE Cabernet Sauvignon	California	15	20	50
●	●	◐	JOEL GOTT • Red Blend	Columbia Valley, Washington	12	16	45
●	●	◐	DAOU • Cabernet Sauvignon	Paso Robles, California	20	30	70

○ MIN ◐ MID ● MAX

FIRST

ANTIPASTI 24

cured meats, local cheese, house pickles, grilled sourdough

CHINESE FIVE-SPICE CHICKEN WINGS 15

hot mustard sauce

CHICKEN LIVER PÂTÉ 12

flatbread, soy & balsamic gastrique

WOOD FIRE MEATBALLS 15

pomodoro, ricotta

SALAD



CAESAR 14

romaine, garlic croutons, parmigiano-reggiano, soy egg
add chicken breast 8
add steak* 10

CHOPPED 14

provolone, salami, shishito peppers, red wine vinaigrette
add chicken breast 8
add steak* 10

DESSERT

HOUSE SOFT-SERVE IN A CUP 7

add topping cacao nibs, caramel, sea salt or olive oil 1 each

CHOCOLATE BUDINO 9

whipped cream, cacao nibs

LARGE PLATES

KOREAN FRIED CHICKEN SANDWICH 19

fresno pepper slaw, fresh herbs, gochugaru aioli, house fries

SKOL BURGER* 18

american cheese, caramelized onion, special sauce, house-cut fries

TAVERN PIZZA 20

house red sauce, mozzarella, pepperoni, jalapeño, honey

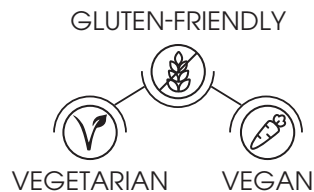
SPICY MEATBALL PIZZA 19

fior di latte, calabrian chile, broccolini



MARGHERITA PIZZA 17

italian red sauce, fior di latte, olive oil, basil



HOT COFFEE & TEA

- STANCE COFFEE 4
- NUMI HOT TEA 4
- ESPRESSO 4
- CAPPUCCINO 5
- AMERICANO 4

ICED COFFEE & TEA

- LATTE 5
- ICED TEA 4

OTHER BEVERAGES

- FRESH ORANGE JUICE 4

FIZZ

- RED BULL ENERGY DRINK 5
- RED BULL SUGARFREE 5
- S.PELLEGRINO SPARKLING MINERAL WATER 500ML 4
- S.PELLEGRINO ESSENZA ASSORTED 6

FLAT

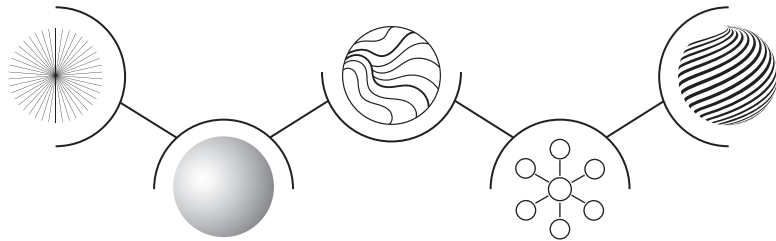
- ACQUA PANNA 500ML 4

Gluten-friendly bread available upon request.

*Consuming raw or undercooked meats, poultry, seafood, shellfish or eggs may increase your risk of foodborne illness.

Please notify us of any food allergy.

With sincere gratitude we give thanks
to our partners who build community
and promote sustainability.



COMMUNITY

Owen's American Tonic: Helping to raise awareness to Fields of Honor in support of families of fallen or disabled military and first responders with more than 35,000 scholarships awarded since 2007.

21 Seeds Tequila: Female-founded infused tequila inspiring you to gather your tribe of friends new and old, cross borders, share ideas, and make connections.

Appleton Estate Rum: In 1997, Dr. Joy Spence became the first woman appointed master blender in the industry, an amazing milestone for women across the world!

Woodford Reserve Bourbon: Woodford Reserve works closely with Old Friend Farms, where racing thoroughbreds are sent to retire and raise awareness of the importance of equine aftercare.

High West Bourbon: Pledged \$1,000,000 over the next three years to organizations that are working to protect the West from wildfires – including Wildland Firefighter Foundation, Protect Our Winters (POW), and American Prairie Reserve.

Monin: Honored to partner with organizations making a positive impact including Grounds for Health, Children of Restaurant Employees (CORE), and Step Up for Students.

SUSTAINABILITY

Patrón Tequila: Patrón was the first distillery to install a natural gas pipeline, which acts as its main energy source and helps reduce CO2 emissions in the atmosphere.

Absolut Vodka: For the past four years, Absolut has been using so-called waste spirits to reduce use of liquefied propane gas (LPG) to generate energy at their Nöbbelöv distillery.

Seedlip: Seedlip is a 1% for the Planet member, giving 1% of global annual revenues to environmental charities dedicated to celebrating and protecting the planet.