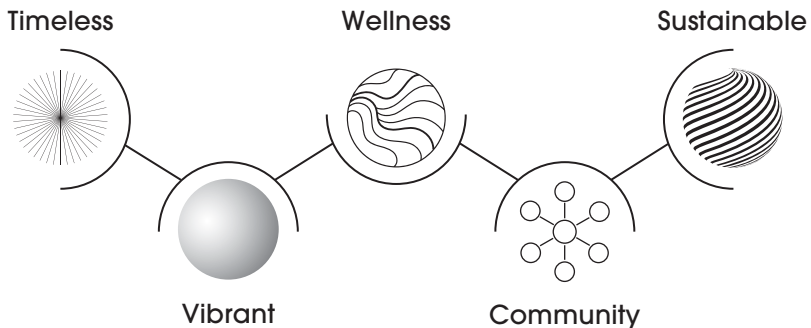


ELEMENTS OF DRINK DESIGN

Much like a well-designed object, a well-crafted cocktail takes into account the contributions of each element and how they play against each other. Balance and tension, comfort and elevation, the nuances of technique and ingredient make each cocktail unique.

The Elements of a Cocktail





BUILD YOUR OWN HIGHBALL 18

Choose your Spirit:

VODKA

Tito's Handmade
Belvedere Organic
Grey Goose

TEQUILA

Herradura Silver
Casamigos Reposado
Milagro Añejo

BOURBON

Bulleit
Maker's Mark
Woodford Reserve

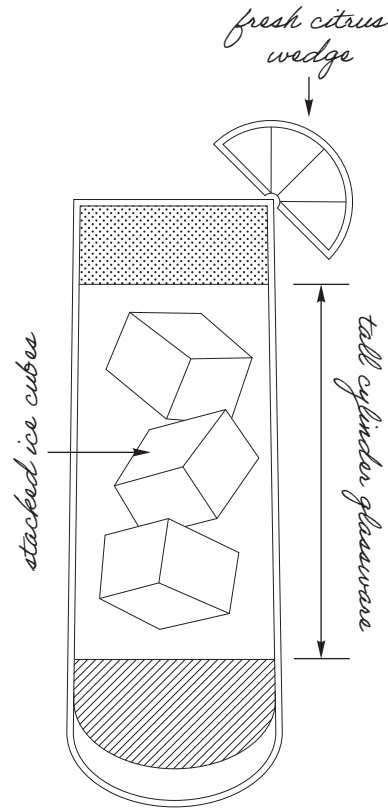
Choose your Mixer:

Q Club Soda
Owen's Rio Red Grapefruit
Owen's American Tonic
Q Ginger Ale
Owen's Ginger Beer



AMERICANO HIGHBALL 18

Campari, Antica Formula Sweet
Vermouth, Q Club Soda

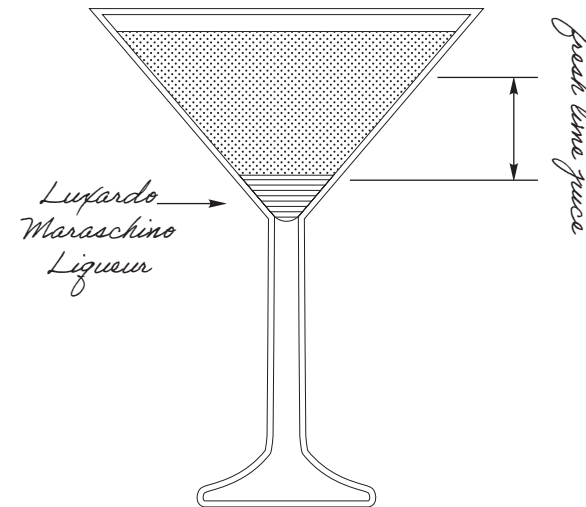


composed of an alcoholic base spirit and a larger proportion of a non-alcoholic mixer.



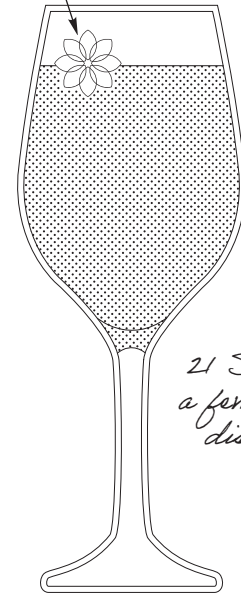
OF ALL THINGS 18

21 Seeds Grapefruit Hibiscus
Tequila, Aperol, Barmalade
Grapefruit-Elderflower,
fresh lime, rhubarb bitters,
Lunetta Prosecco



*Luxardo
Maraschino
Liqueur*

*edible micro
flowers*



21 Seeds is a female-led distillery



THE LAST WORD MARTINI 20

Hendrick's Gin, green chartreuse,
Luxardo Maraschino Liqueur,
fresh lime



Make it smoky with Dos Hombres Mezcal 22

ELEMENT KEY

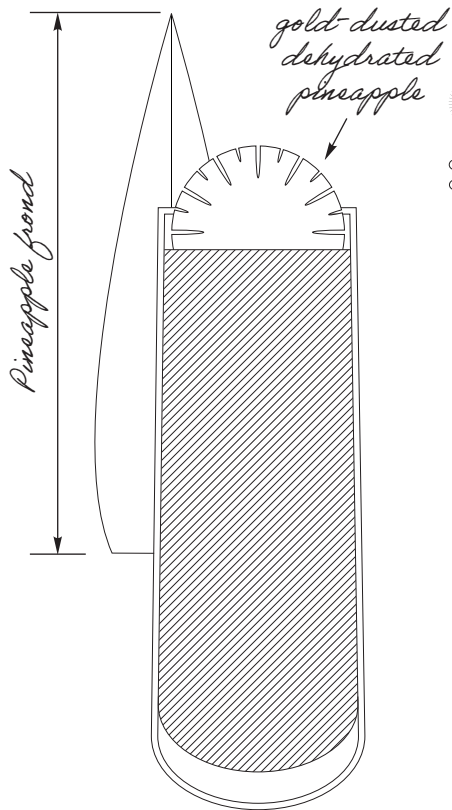
 Timeless

 Vibrant

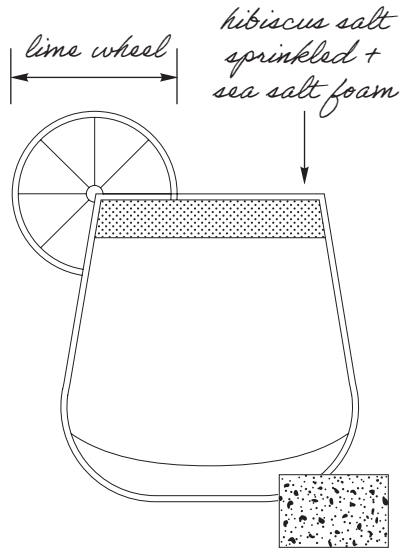
 Wellness

 Community

 Sustainable



JUNGLE BIRD 18
 Appleton Estate Signature Blend Rum, Campari, Liber & Co. Pineapple Gum Syrup, fresh lime, pineapple juice



*spiced/smoked version:
 tajin rim + chili threads*

ELEMENT KEY	
	Timeless
	Vibrant
	Wellness
	Community
	Sustainable

MARGARITA 18
 Patrón Silver Tequila, Italicus Rosolio di Bergamotto, fresh lime, Monin Agave Nectar

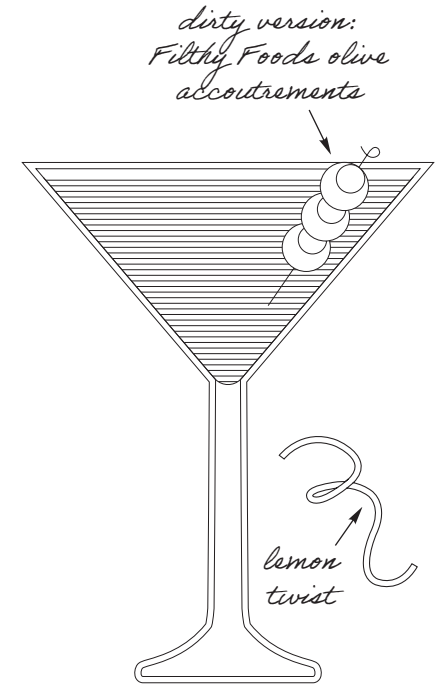
- Level up with Herradura Reposado 20*
- Make it spicy with Ancho Reyes Chile Liqueur 20*
- Try it smoky with Dos Hombres Mezcal 20*



CLASSIC MARTINI

DRY / STIRRED 20
 The Botanist Gin or Ketel One Vodka, Carpano Dry Vermouth, orange bitters, lemon twist

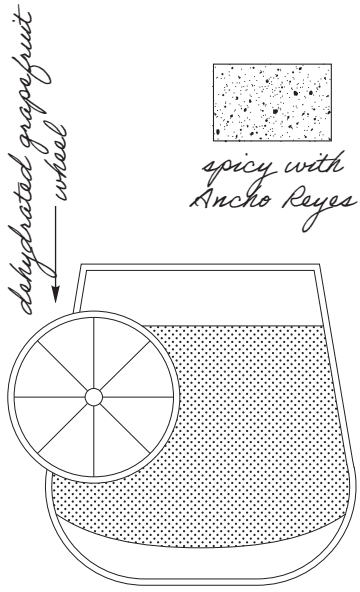
DIRTY / SHAKEN 20
 Tito's Handmade Vodka, Carpano Bianco Vermouth, house brine, Filthy Foods Olive Accoutrements



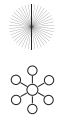
fresh-brewed espresso



ESPRESSO MARTINI 18
 Absolut Vodka, Kahlúa, fresh espresso
Twist it up with Casamigos Reposado Tequila 20



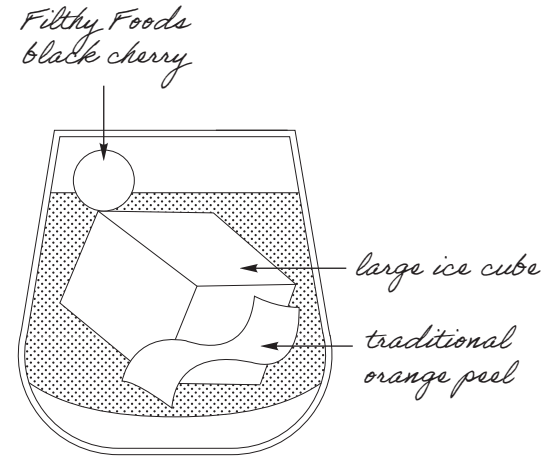
originally called the "De Rigueur" in cocktail books



BROWN DERBY 20

Woodford Reserve Bourbon, fresh grapefruit, barrel-aged maple syrup, orange bitters

Spice it up with Ancho Reyes Chile Liqueur 22



OLD FASHIONED 18

High West Bourbon, Liber & Co Demerara Syrup, El Guapo Bitters

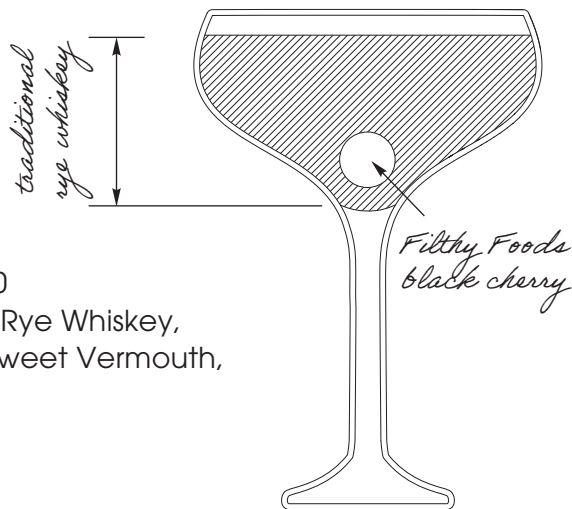
Level up with Garrison Brothers Small Batch Bourbon 26

Make it a twist featuring Cincoro Reposado Tequila 32



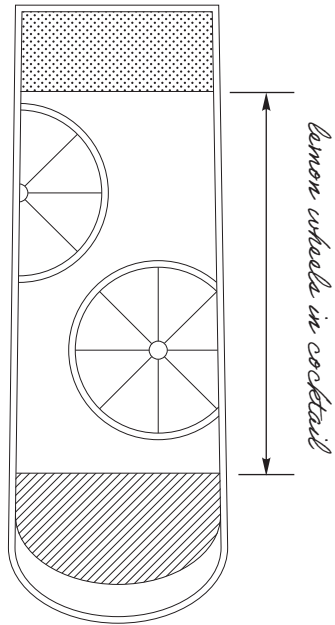
MANHATTAN 20

Knob Creek 7 Yr. Rye Whiskey, Antica Formula Sweet Vermouth, Angostura Bitters



ELEMENT KEY	
	Timeless
	Vibrant
	Wellness
	Community
	Sustainable

candied ginger slice



SEAMLESS 14

Monin Vanilla, Passion Fruit Reàl, fresh lemon, Q Club Soda



dehydrated blood orange wheel



SILHOUETTE 14

Seedlip Grove 42, Monin Lemongrass, apple cider vinegar, orange zest



fresh orange zest

DOMESTIC 7

- MICHELOB ULTRA
- COORS LIGHT
- MILLER LITE
- BUD LIGHT
- BUDWEISER

IMPORTED 8

- CORONA EXTRA
- DOS EQUIS LAGER
- HEINEKEN
- PERONI
- STELLA ARTOIS
- GUINNESS
- MODELO ESPECIAL

NON-ALCOHOLIC 7

- HEINEKEN 0.0 NA LAGER
- ATHLETIC BREWING CO RUN
- WILD NA IPA

CRAFT 8

- SAMUEL ADAMS BOSTON LAGER
- SAMUEL ADAMS SEASONAL
- NEW BELGIUM FAT TIRE ALE
- NEW BELGIUM VODOO
- RANGER JUICY HAZE IPA
- BLUE MOON BELGIAN WHITE
- BASIC CITY THE 6TH LORD IPA
- NEW REALM SEASONAL IPA
- YUENGLING AMERICAN LAGER

HARD SELTZERS & CIDERS

- ANGRY ORCHARD HARD CIDER 8
- TRODDENVALE CIDER AT OAKLEY FARM 8
- WHITE CLAW MANGO HARD SELTZER 12
- WHITE CLAW BLACK CHERRY HARD SELTZER 12
- TRULY WILD BERRY HARD SELTZER 8
- HIGH NOON WATERMELON VODKA HARD SELTZER 8

ELEMENT KEY	
	Timeless
	Vibrant
	Wellness
	Community
	Sustainable

<i>Intensity</i>									
Fruit	Tannin	Acidity					6oz	9oz	BTL
●	○	●	LUNETTA • Prosecco Brut	Veneto, Italy (187ml)			-	-	14
●	○	○	CHANDON • Sparkling Rosé	California (187ml)			-	-	16
○	○	●	MOËT & CHANDON IMPÉRIAL • Brut Rosé	Champagne, France (187ml)			-	-	28
●	○	○	CHATEAU STE. MICHELLE • Riesling	Columbia Valley, Washington			13	17	48
○	○	●	SANTA MARGHERITA • Pinot Grigio	Valdadige, Veneto, Italy			18	25	62
○	○	●	ROSE GOLD • Rosé	Côtes de Provence, France			14	19	53
○	○	●	DECOY BY DUCKHORN • Sauvignon Blanc	California			15	20	54
●	○	●	PINE RIDGE • Chenin Blanc/Viognier	California			14	19	55
●	○	○	KENDALL-JACKSON VINTNER'S RESERVE • Chardonnay	California			13	18	52

○ MIN ○ MID ● MAX

Red Wines

Red Wines

<i>Intensity</i>							
Fruit	Tannin	Acidity					
			ELOUAN • Pinot Noir	Oregon	6oz	9oz	BTL
			BANFI • Chianti Classico	Tuscany, Italy	15	21	53
			BENZIGER • Merlot	Sonoma County, California	15	21	53
			CATENA VISTA FLORES • Malbec	Mendoza, Argentina	15	21	53
			JOEL GOTT • Red Blend	Columbia Valley, Washington	14	19	52
			TRIBUTE • Cabernet Sauvignon	California	14	19	50
			FRANCISCAN ESTATE CORNERSTONE Cabernet Sauvignon	California	15	20	53
			DAOU • Cabernet Sauvignon	Paso Robles, California	19	34	75

○ MIN ◐ MID ● MAX

BOARDS



LOCKSLEY FARMSTEAD CHEESE 24

pepper jam,
fig preserves,
pickled crudité
crackers



CHARCUTERIE 26

salame rosa,
soppresata, pepper jam,
pickled vegetables,
crackers

DIPS



WHIPPED PIMENTO CHEESE 14

sesame buttermilk cracker, pickled crudité



SNACKS



DRAGEE VIRGINIA PEANUTS 14

red chili, smoked salt



MARINATED OLIVES AND RICOTTA 16

chili oil, roasted garlic,
sesame buttermilk
cracker

SWEETS



BOURBON & CARAMEL FADDLE 14

caramel popcorn, Virginia peanuts, butterscotch chips

HOT COFFEE & TEA

STANCE COFFEE 6

NUMI HOT TEA 6

FIZZ

RED BULL ENERGY DRINK 6

RED BULL SUGARFREE 6

S.PELLEGRINO SPARKLING
MINERAL WATER 500ML 7

S.PELLEGRINO ESSENZA
ASSORTED 7

FLAT

ACQUA PANNA 500ML 7

GLUTEN-FRIENDLY



VEGETARIAN

VEGAN

Gluten-friendly bread available upon request.

*Consuming raw or undercooked meats, poultry, seafood, shellfish or eggs may increase your risk of foodborne illness.

Please notify us of any food allergy.



COMMUNITY

Owen's American Tonic: Helping to raise awareness to Fields of Honor in support of families of fallen or disabled military and first responders with more than 35,000 scholarships awarded since 2007.

21 Seeds Tequila: Female-founded infused tequila inspiring you to gather your tribe of friends new and old, cross borders, share ideas, and make connections.

Appleton Estate Rum: In 1997, Dr. Joy Spence became the first woman appointed master blender in the industry, an amazing milestone for women across the world!

Woodford Reserve Bourbon: Woodford Reserve works closely with Old Friend Farms, where racing thoroughbreds are sent to retire and raise awareness of the importance of equine aftercare.

High West Bourbon: Pledged \$1,000,000 over the next three years to organizations that are working to protect the West from wildfires – including Wildland Firefighter Foundation, Protect Our Winters (POW), and American Prairie Reserve.

Monin: Honored to partner with organizations making a positive impact including Grounds for Health, Children of Restaurant Employees (CORE), and Step Up for Students.



SUSTAINABILITY

Patrón Tequila: Patrón was the first distillery to install a natural gas pipeline, which acts as its main energy source and helps reduce CO2 emissions in the atmosphere.

Absolut Vodka: For the past four years, Absolut has been using so-called waste spirits to reduce use of liquefied propane gas (LPG) to generate energy at their Nöbbelöv distillery.

Seedlip: Seedlip is a 1% for the Planet member, giving 1% of global annual revenues to environmental charities dedicated to celebrating and protecting the planet.

With sincere gratitude we give thanks
to our partners who build community
and promote sustainability.

