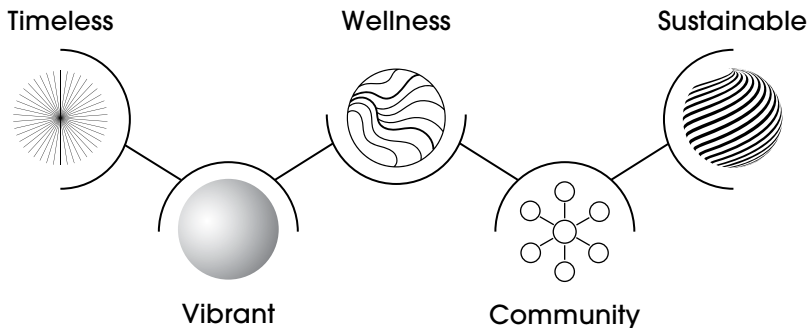


## ELEMENTS OF DRINK DESIGN

Much like a well-designed object, a well-crafted cocktail takes into account the contributions of each element and how they play against each other. Balance and tension, comfort and elevation, the nuances of technique and ingredient make each cocktail unique.

### *The Elements of a Cocktail*





**BUILD YOUR OWN HIGHBALL 16**

*Choose your Spirit:*

**VODKA**

- Tito's Handmade
- Belvedere Organic
- Grey Goose

**TEQUILA**

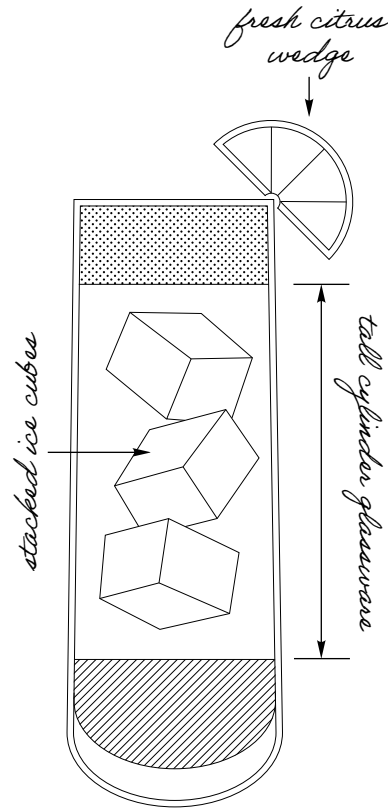
- Herradura Silver
- Casamigos Reposado
- Milagro Añejo

**BOURBON**

- Bulleit
- Maker's Mark
- Woodford Reserve

*Choose your Mixer:*

- Q Club Soda
- Owen's Rio Red Grapefruit
- Owen's American Tonic
- Q Ginger Ale
- Owen's Ginger Beer

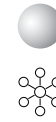


*composed of an alcoholic base spirit and a larger proportion of a non-alcoholic mixer.*



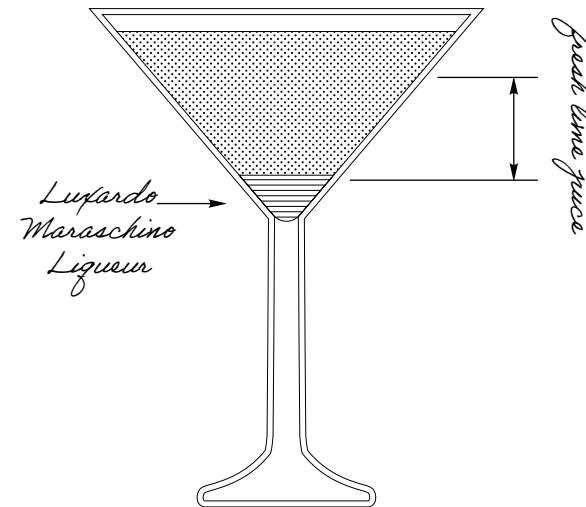
**AMERICANO HIGHBALL 19**

- Campari, Antica Formula Sweet Vermouth, Q Club Soda

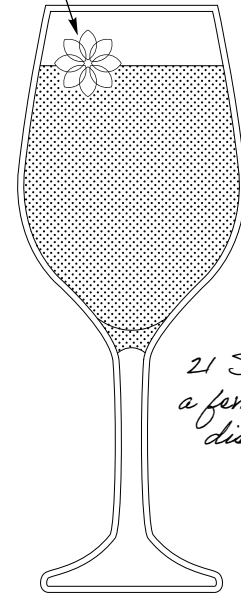


**OF ALL THINGS 16**

- 21 Seeds Grapefruit Hibiscus
- Tequila, Aperol, Barmalade
- Grapefruit-Elderflower,
- fresh lime, rhubarb bitters,
- Lunetta Prosecco



*edible micro flowers*



*21 Seeds is a female-led distillery*

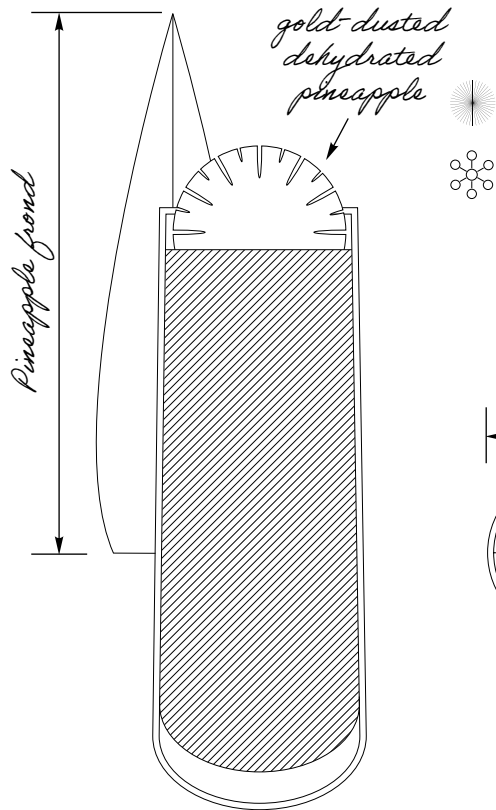


**THE LAST WORD MARTINI 16**

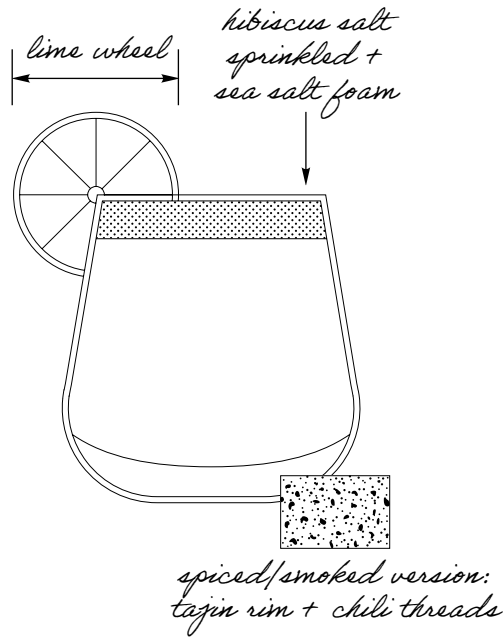
- Hendrick's Gin, green chartreuse,
- Luxardo Maraschino Liqueur,
- fresh lime

*Make it smoky with Dos Hombres Mezcal 18*

ELEMENT KEY	
	Timeless
	Vibrant
	Wellness
	Community
	Sustainable



**JUNGLE BIRD 16**  
 Appleton Estate Signature Blend Rum, Campari, Liber & Co. Pineapple Gum Syrup, fresh lime, pineapple juice



**MARGARITA 16**  
 Patrón Silver Tequila, Italicus Rosolio di Bergamotto, fresh lime, Monin Agave Nectar

*Level up with Herradura Reposado 19*

*Make it spicy with Ancho Reyes Chile Liqueur 18*

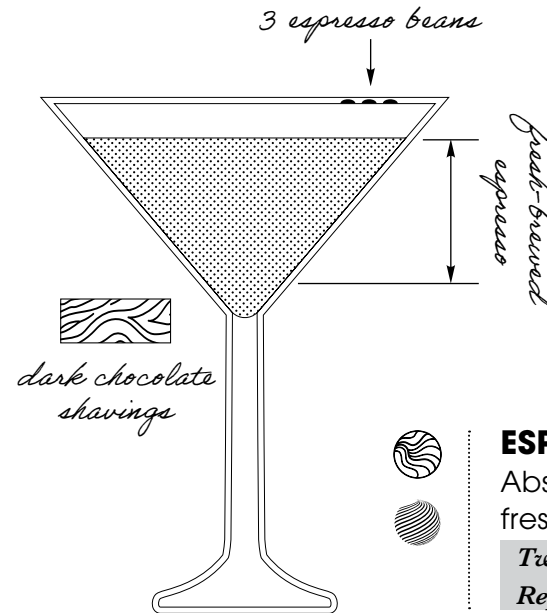
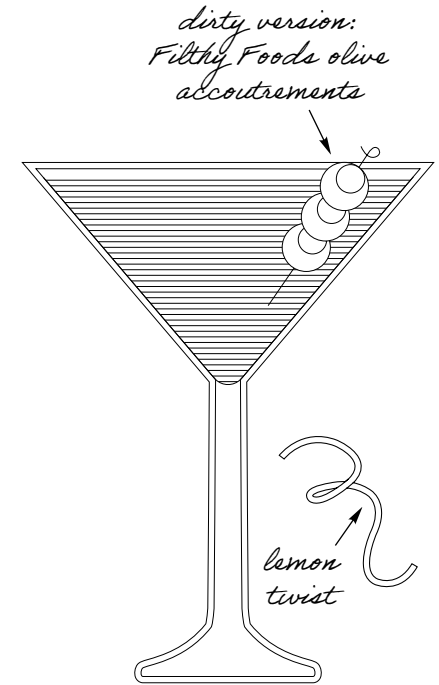
*Try it smoky with Dos Hombres Mezcal 18*

ELEMENT KEY	
	Timeless
	Vibrant
	Wellness
	Community
	Sustainable

**CLASSIC MARTINI**

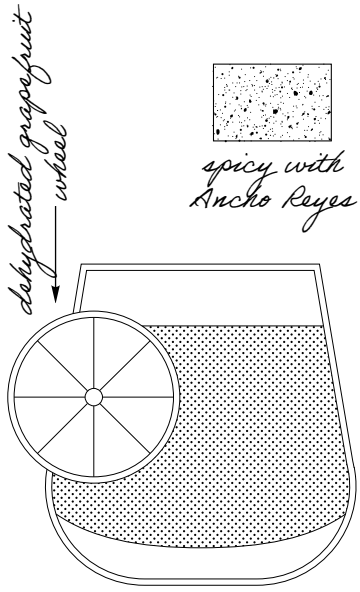
**DRY / STIRRED 16**  
 The Botanist Gin or Ketel One Vodka, Carpano Dry Vermouth, orange bitters, lemon twist

**DIRTY / SHAKEN 18**  
 Tito's Handmade Vodka, Carpano Bianco Vermouth, house brine, Filthy Foods Olive Accoutrements

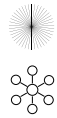


**ESPRESSO MARTINI 17**  
 Absolut Vodka, Kahlúa, fresh espresso

*Twist it up with Casamigos Reposado Tequila 19*



originally called the "De Rigueur" in cocktail books

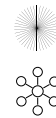
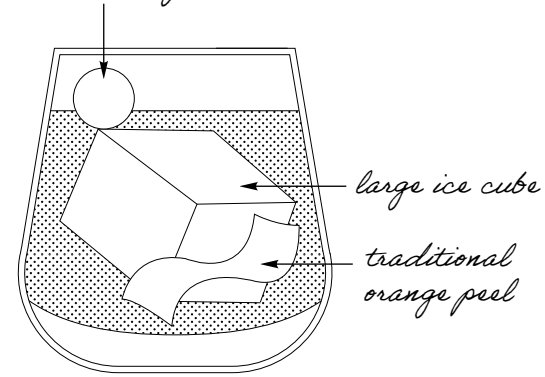


**BROWN DERBY 17**

Woodford Reserve Bourbon, fresh grapefruit, barrel-aged maple syrup, orange bitters

*Spice it up with Ancho Reyes Chile Liqueur 19*

Filthy Foods black cherry

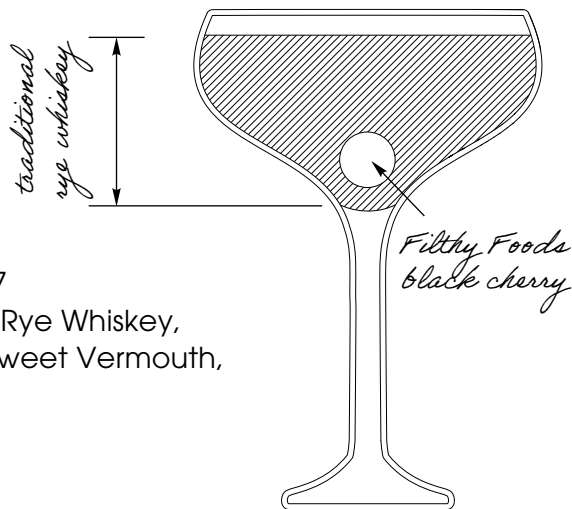


**OLD FASHIONED 17**

High West Bourbon, Liber & Co Demerara Syrup, El Guapo Bitters

*Level up with Garrison Brothers Small Batch Bourbon 25*

*Make it a twist featuring Cincoro Reposado Tequila 32*

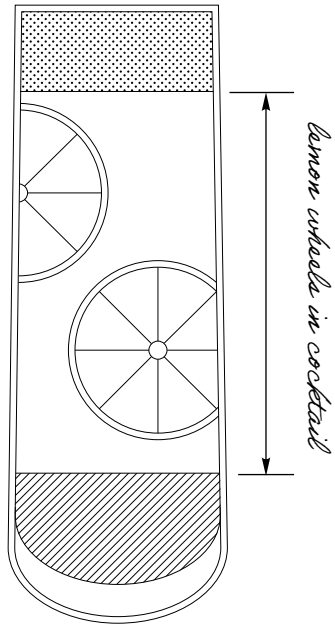


**MANHATTAN 17**

Knob Creek 7 Yr. Rye Whiskey, Antica Formula Sweet Vermouth, Angostura Bitters

ELEMENT KEY	
	Timeless
	Vibrant
	Wellness
	Community
	Sustainable

*candied ginger slice*



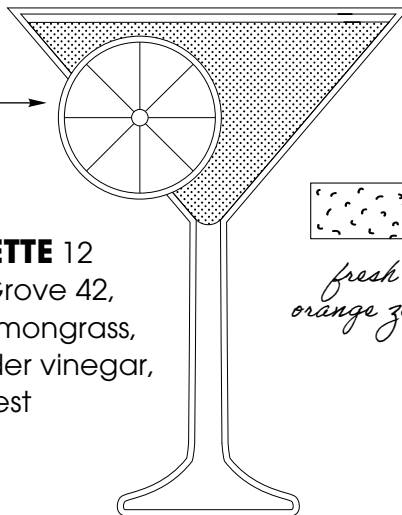
**SEAMLESS** 12

Monin Vanilla, Passion Fruit Reàl, fresh lemon, Q Club Soda



ELEMENT KEY	
	Timeless
	Vibrant
	Wellness
	Community
	Sustainable

*dehydrated blood orange wheel*



**SILHOUETTE** 12

Seedlip Grove 42, Monin Lemongrass, apple cider vinegar, orange zest



*fresh orange zest*

**DOMESTIC** 7

- MICHELOB ULTRA
- COORS LIGHT
- MILLER LITE
- BUD LIGHT
- BUDWEISER

**IMPORTED** 8

- CORONA EXTRA
- DOS EQUIS LAGER
- HEINEKEN
- PERONI
- STELLA ARTOIS
- GUINNESS
- MODELO ESPECIAL

**NON-ALCOHOLIC** 6

- HEINEKEN 0.0 NA LAGER
- ATHLETIC BREWING CO
- RUN WILD NA IPA

**CRAFT** 8

- SAMUEL ADAMS BOSTON LAGER
- SAMUEL ADAMS SEASONAL
- NEW BELGIUM FAT TIRE ALE
- NEW BELGIUM VOODOO
- RANGER JUICY HAZE IPA
- BLUE MOON BELGIAN WHITE
- INTUITION I-10 IPA
- MOCAMA COSICO IPA
- YUENGLING AMERICAN LAGER

**HARD SELTZERS**

**& CIDERS** 8

- ANGRY ORCHARD HARD CIDER
- CONGOVEE & PENN
- HARD FARM CIDER
- WHITE CLAW MANGO
- HARD SELTZER
- WHITE CLAW BLACK CHERRY
- HARD SELTZER
- TRULY WILD BERRY HARD SELTZER
- HIGH NOON WATERMELON
- VODKA HARD SELTZER

**BOURBON & WHISKEY**

*neat or rock two ounce pour*

**Manifest Rye | Jacksonville, FL**  
intense + cedar + nutty 14

**TX Blended | Fort Worth, TX**  
vanilla + butterscotch + honey butter 15

**Basil Hayden | Clermont, KY**  
cinnamon + white pepper +  
citrus peel 14

**Elijah Craig Small Batch |  
Louisville, KY**  
spice + smoke + nutmeg 11

**Bulleit Frontier | Louisville, KY**  
toffee + maple + oak + nutmeg 13

**Bulleit Rye | Louisville, KY**  
vanilla + honey + spice 13

**Ammunition Pinot Noir Finished |  
Sonoma County, CA**  
baking spices + red berries +  
hint of citrus 13

**Ammunition Cabernet Finished |  
Sonoma County, CA**  
rich caramel + butterscotch + vanilla 13

**Jack Daniel's Black |  
Lynchburg, TN**  
dark honey + oak + banana 12

**Jack Daniel's Single Barrel |  
Lynchburg, TN**  
baking spices + cocoa + leather 16

**Jack Daniel's Honey |  
Lynchburg, TN**  
mulled cider + cardamom +  
candied ginger 13

**Gentleman Jack | Lynchburg, TN**  
caramel + vanilla + charcoal 12

**Redwood Empire Pipe Dream |  
Sonoma County, CA**  
roasted pecan + vanilla +  
charred wood 12

**Redwood Empire Emerald Giant |  
Sonoma County, CA**  
honey + orange peel + cinnamon 12

**Redwood Empire Lost Monarch |  
Sonoma County, CA**  
clove + maple + pepper 12

**Redbreast 12 Yr | Midleton, Ireland**  
nuts + cream soda + ginger cake 20

**Knob Creek Rye | Clermont, KY**  
raw wood + cantaloupe + heat 16

**Knob Creek | Clermont, KY**  
oak + maple sugar + toasted nuts 16

**Crown Royal | Gimli, Canada**  
oak + sweet vanilla 16

**Jameson | Middleton, Ireland**  
cocoa + coffee + green apple 17

**Blanton's | Frankfort, KY**  
raisin + caramel + orange 129

**Buffalo Trace | Frankfort, KY**  
brown sugar + dark fruit + anise 20

**Pinhook Bourbon Resolve |  
Bardstown, KY**  
roasted peanuts + candied cinnamon +  
crème brûlée 13

**Pinhook Bourbon Resolve High Proof |  
Bardstown, KY**  
baked apricot+ vanilla+ burnt sugar 16

**Pinhook Rye Munny |  
Bardstown, KY**  
baked apple + black pepper + toffee 13

**Pinhook Rye Munny High Proof |  
Bardstown, KY**  
walnuts + dates + spiced caramel 15

**Pinhook Bourbon War 7 Year |  
Bardstown, KY**  
ginger snap + molasses + dried fig 24

**BOURBON & WHISKEY**

*neat or rock two ounce pour*

**Chicken Cock Kentucky Straight |  
Bardstown, KY**  
caramel apple + graham cracker +  
vanilla wafer 18

**Chicken Cock Kentucky  
Straight Rye | Bardstown, KY**  
spearmint + rye bread + citrus 22

**Chicken Cock Rye Island Rooster |  
Bardstown, KY**  
maple + sugar candy + butter 59

**Chicken Cock Cotton Club 20 Year  
Rye | Bardstown, KY**  
honey + ginger + soft vanilla 169

**Maker's 46 | Loretto, KY**  
heavy oak + cinnamon +  
freshly baked bread 16

**Maker's Mark | Loretto, KY**  
bold + vanilla + caramel + spice 13

**Woodford Rye | Shively, KY**  
cedar + cassia + sorghum 17

**Woodford Reserve | Shively, KY**  
dried fruit + orange + mint 17

**Woodford Reserve Wheat |  
Shively, KY**  
hay + peach + vanilla 15

**Brenne | Cognac, France**  
banana + tropical fruits +  
burnt caramel 17

**Angel's Envy | Louisville, KY**  
vanilla + ripe fruit + maple syrup 15

**High West American Prairie |  
Park City, UT**  
sweet corn + biscuits +  
honey nougat 13

**Kentucky Owl Confiscated |  
Bardstown, KY**  
red apple + cinnamon +  
banana bread 29

**Kentucky Owl Batch 11 |  
Bardstown, KY**  
apple + soft wine + vanilla tea 89

**WhistlePig PiggyBack |  
Shoreham, VT**  
cocoa + cardamom + leather 13

**WhistlePig 10 Yr Rye | Shoreham, VT**  
allspice + orange peel + anise +  
caramel 24

**WhistlePig Farmstock |  
Shoreham, VT**  
oak + toffee + crème brûlée 27

**WhistlePig 15 Yr | Shoreham, VT**  
leather + tobacco + baking spice 37

**WhistlePig Boss Hog | Shoreham, VT**  
mulled cider + cardamom +  
candied gin 150

**Garrison Brothers Small Batch |  
Hye, TX**  
caramel apple + cinnamon +  
baking spices 22

SCOTCH

*neat or rock two ounce pour*

**Oban 14 Yr | Oban**  
dried fig + smoky malt 29

**Monkey Shoulder | Dufftown**  
rich + vibrant + speyside malt blend 11

**Lagavulin | Islay**  
clove + lemon + fruitcake +  
heavy peat 32

**Talisker | Isle of Skye**  
white pepper + brine +  
single barley malt 22

**The Glenlivet | Tomintoul**  
heavy pineapple note + smooth  
complex malt 23

**Dewar's | Aberfeldy**  
sultana raisin + apple +  
honey-roasted malt 17

**Laphroaig | Islay**  
huge smoke + dark spice + lemon  
seaweedy malt 21

**Johnnie Walker | Kilmarnock**  
**red:** cinnamon + pepper +  
young blend 12

**black:** tropical dark fruit + toffee +  
12 yr 19

**blue:** hazelnut + sherry +  
dark chocolate + elite 88

**Glenfiddich | Dufftown**  
12 yr: fresh pear + subtle oak +  
single malt 17

**The Macallan | Craigellachie**  
12 yr: ginger + orange + custard +  
double cask 25

**25 yr:** citrus + cinnamon + balanced  
sherry wood 595

**30 yr:** macadamia nut + black cherry +  
fine oak 795

**The Dalmore | Alness**  
12 yr: cinnamon ice cream +  
roasted almonds 21  
15 yr: bitter cherry + coal dust 38  
18 yr: potpourri + marmalade 109

TEQUILA & MEZCAL

*neat or rock two ounce pour*

**Don Julio Blanco | Jalisco, Mexico**  
grassy + white pepper + menthol 17

**Don Julio Reposado | Jalisco, Mexico**  
tropical fruit + herbs + light oak 18

**Don Julio Añejo | Jalisco, Mexico**  
floral + rose + pear + cinnamon 21

**Patrón XO Cafe | Jalisco, Mexico**  
sweet + espresso + vanilla 11

**Patrón Silver | Jalisco, Mexico**  
spicy + black pepper + lavender 16

**Patrón Añejo | Jalisco, Mexico**  
sandalwood + celery + galia melon 18

**Gran Patrón Platinum | Jalisco, Mexico**  
vanilla + sweet dried fruit + oak 130

**Sauza Silver | Jalisco, Mexico**  
green apple + jasmine + citrus 11

**Herradura Silver | Jalisco, Mexico**  
raw green vegetable + coriander +  
pepper 12

**Herradura Reposado | Jalisco, Mexico**  
vanilla + caramel + light burn 12

**Herradura Añejo | Jalisco, Mexico**  
sweet banana + caramel + nuts 16

**Herradura Ultra Añejo | Jalisco, Mexico**  
coconut + butterscotch + butter 19

**Herradura 150th Anniversary | Jalisco, Mexico**  
almond + clove + chocolate 105

**Herradura Suprema | Jalisco, Mexico**  
honey + cherry + whiskey barrel 99

**Casamigos Blanco | Jalisco, Mexico**  
vanilla + cake batter + flowers 20

**Casamigos Reposado | Jalisco, Mexico**  
oak + black pepper + cinnamon 22

**Casamigos Añejo | Jalisco, Mexico**  
caramel + cooked agave + smoke 26

**Komos Reposado Rosa | Tequila Valley, Mexico**  
mineral + salt + lime 38

**Komos Cristalino | Tequila Valley, Mexico**  
cream soda + chocolate + vanilla 43

**Komos Extra Añejo | Tequila Valley, Mexico**  
orange peel + toasted pecan +  
candied ginger 139

**Milagro Añejo | Jalisco, Mexico**  
earthy + lemon + oak 13

**Cincoro Reposado | Jalisco, Mexico**  
sweet wall of vanilla + little agave 29

**Sombra Mezcal | Oaxaca, Mexico**  
tobacco + firewood + peat 12

**Dos Hombres Mezcal | Oaxaca, Mexico**  
mango + sapote + restrained smoke 18



White Wines

White Wines

<i>Intensity</i>										
Fruit	Tannin	Acidity					6oz	9oz	BTL	
			●	○	●	LUNETTA • <b>Prosecco Brut</b>	Veneto, Italy (187ml)	-	-	15
●	○	○	●	○	○	CHANDON • <b>Sparkling Rosé</b>	California (187ml)	-	-	23
○	○	○	○	○	●	MOËT & CHANDON IMPÉRIAL • <b>Brut Rosé</b>	Champagne, France (187ml)	-	-	34
●	○	○	●	○	○	CHATEAU RAHOUL GRAVES • <b>White Bordeaux</b>	Bordeaux, France	19	27	75
○	○	○	○	○	●	SANTA MARGHERITA • <b>Pinot Grigio</b>	Valdadige, Veneto, Italy	16	22	64
○	○	○	○	○	●	CHATEAU D'ESCLANS WHISPERING ANGEL • <b>Rosé</b>	Côtes de Provence, France	16	22	64
○	○	○	○	○	●	DECOY BY DUCKHORN • <b>Sauvignon Blanc</b>	California	12	17	48
●	○	○	●	○	○	ORIN SWIFT MANNEQUIN • <b>Chardonnay</b>	California	19	27	75
●	○	○	○	○	○	LONG MEADOW RANCH • <b>Chardonnay</b>	California	19	27	75

○ MIN ○ MID ● MAX



*Red Wines*

*Red Wines*

<i>Intensity</i>									
Fruit	Tannin	Acidity					6oz	9oz	BTL
			<b>BELLE GLOS CLARK &amp; TELEPHONE • Pinot Noir</b>	California			23	32	80
			<b>BANFI • Chianti Classico</b>	Tuscany, Italy			17	25	66
			<b>DUCKHORN • Merlot</b>	Napa Valley, California			29	42	116
			<b>CATENA VISTA FLORES • Malbec</b>	Mendoza, Argentina			12	17	48
			<b>TRIBUTE • Cabernet Sauvignon</b>	California			14	19	56
			<b>J. LOHR PURE PASO • Red Blend</b>	California			16	22	64
			<b>THE PRISONER UNSHACKLED Cabernet Sauvignon</b>	Napa Valley, California			15	21	60
			<b>DAOU • Cabernet Sauvignon</b>	Paso Robles, California			16	22	64

○ MIN   ◐ MID   ● MAX

BOARDS

**FLORIDA-GEORGIA  
CHEESE** 19

wainwright cheddar +  
grateful hill farm cotton  
cloud goat cheese +  
sweet grass dairy green  
hill camembert + georgia  
peach jam + benne seed  
crackers

**CHEF'S  
CHARCUTERIE** 19

prosciutto + bresaola +  
coppa + house pickle +  
grilled sourdough

**LOCAL CHEESE &  
CHARCUTERIE** 32

wainwright cheddar +  
grateful hill farm cotton  
cloud goat cheese +  
prosciutto + bresaola +  
georgia peach jam +  
cohen farm pecans +  
house pickle + benne  
seed crackers +  
grilled sourdough

DIPS

**ASHER BLUE  
FONDUE** 20

candied bacon +  
house potato chips +  
soft pretzel + green apple

**CHILLED BLUE CRAB  
DIP** 22

sweet corn + lemon +  
dill + grilled sourdough

SNACKS

**TRUFFLE PARMESAN  
FRIES** 16

rosemary & kalamata  
olive aioli

**SAND DOLLAR  
MOZZARELLA** 15

fried fresh mozzarella +  
marinara + parmesan +  
basil



**AMELIA HOT WINGS** 18

crisp chicken wings +  
florida citrus buffalo +  
buttermilk dressing

SWEETS

**DARK CHOCOLATE  
FONDUE** 19

donut holes + chef V's  
marshmallows + churro +  
florida orange cheesecake



**CHOCOLATE  
MOUSSE CAKE** 12

raspberry sauce +  
pistachio

**PASSIONFRUIT  
CRÈME BRÛLÉE** 12

strawberry whip +  
shortbread

LARGE PLATES

**BOUGEE BURGER\*** 21  
twin patties + wainwright  
cheddar + tomato +  
crisp onion + rosemary &  
kalamata aioli +  
arugula + potato roll  
substitute plant-based  
impossible burger 1

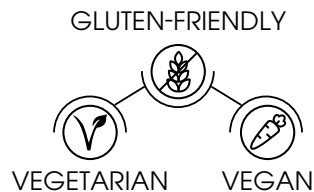
**GRILLED CHICKEN  
SANDWICH** 18  
grilled chicken breast +  
cheddar + applewood-  
smoked bacon +  
lettuce + tomato +  
buttermilk dressing

**PROSCIUTTO  
FLATBREAD** 22  
grateful hill farm cotton  
cloud goat cheese +  
green apple + arugula +  
balsamic



**CAPRESE  
FLATBREAD** 19  
basil pesto + fresh  
mozzarella + tomato +  
saffron & onion  
marmalade

**SMOKED SALMON  
FLATBREAD** 24  
herb & tomato + farm girl  
goat cheese + capers +  
red onion + arugula



Gluten-friendly bread available upon request.

\*Consuming raw or undercooked meats, poultry, seafood, shellfish or  
eggs may increase your risk of foodborne illness.

Please notify us of any food allergy.

**HOT COFFEE & TEA**

STANCE COFFEE 4/5/6  
NUMI HOT TEA 4/5/6  
CHAI TEA LATTE 4.75/5.75/6.75  
ESPRESSO 4/6  
MACCHIATO 5.5/6.5/7.5  
CAPPUCCINO 4.75/5.75/6.75  
AMERICANO 4.5/5.5/6.5  
CORTADO 4/6  
LATTE MACCHIATO 5.5/6.5/7.5

**ICED COFFEE & TEA**

NITRO 5.5/6.5/7.5  
LATTE 5/6/7  
MACCHIATO 5.75/6.75/7.75  
MOCHA 5.75/6.75/7.75  
CHAI TEA LATTE 5/6/7

**JUICE**

FRESH-SQUEEZED  
ORANGE JUICE 9

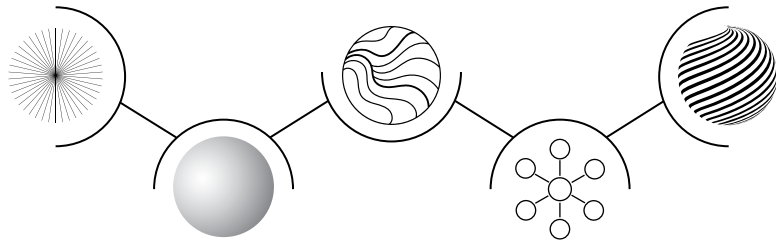
**FIZZ**

RED BULL ENERGY DRINK 7  
RED BULL SUGARFREE 7  
S.PELLEGRINO SPARKLING  
MINERAL WATER 500ML 5  
S.PELLEGRINO ESSENZA  
ASSORTED 6

**FLAT**

ACQUA PANNA 500ML 5

With sincere gratitude we give thanks  
to our partners who build community  
and promote sustainability.



## COMMUNITY

**Owen's American Tonic:** Helping to raise awareness to Fields of Honor in support of families of fallen or disabled military and first responders with more than 35,000 scholarships awarded since 2007.

**21 Seeds Tequila:** Female-founded infused tequila inspiring you to gather your tribe of friends new and old, cross borders, share ideas, and make connections.

**Appleton Estate Rum:** In 1997, Dr. Joy Spence became the first woman appointed master blender in the industry, an amazing milestone for women across the world!

**Woodford Reserve Bourbon:** Woodford Reserve works closely with Old Friend Farms, where racing thoroughbreds are sent to retire and raise awareness of the importance of equine aftercare.

**High West Bourbon:** Pledged \$1,000,000 over the next three years to organizations that are working to protect the West from wildfires – including Wildland Firefighter Foundation, Protect Our Winters (POW), and American Prairie Reserve.

**Monin:** Honored to partner with organizations making a positive impact including Grounds for Health, Children of Restaurant Employees (CORE), and Step Up for Students.

## SUSTAINABILITY

**Patrón Tequila:** Patrón was the first distillery to install a natural gas pipeline, which acts as its main energy source and helps reduce CO2 emissions in the atmosphere.

**Absolut Vodka:** For the past four years, Absolut has been using so-called waste spirits to reduce use of liquefied propane gas (LPG) to generate energy at their Nöbbelöv distillery.

**Seedlip:** Seedlip is a 1% for the Planet member, giving 1% of global annual revenues to environmental charities dedicated to celebrating and protecting the planet.

